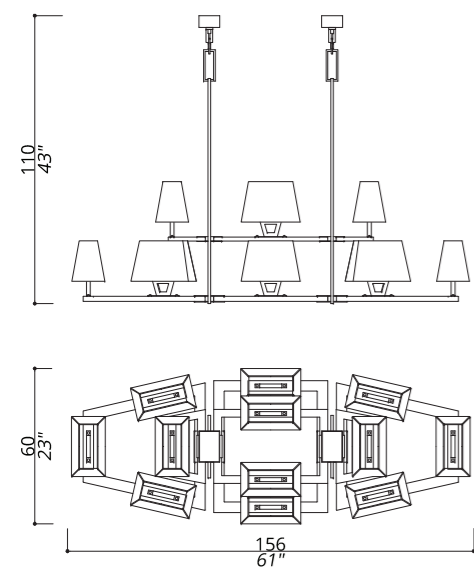


# TRAPEZE

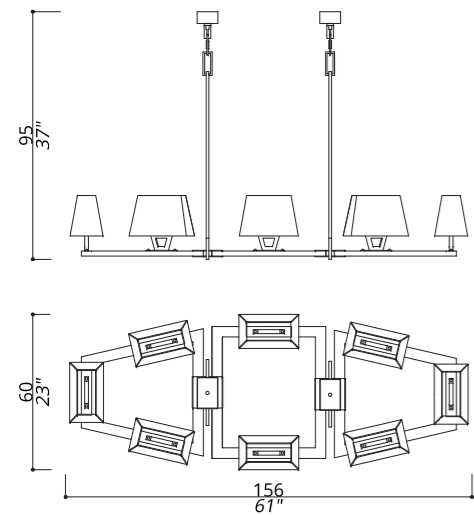


**811-BB-24**

DOUBLE  
CHANDELIER

STRUCTURE IN F\_13 (BURNISHED BRASS FINISH); CONNECTION BOX AND DETAILS IN F\_10 (NATURAL BRASS).  
SHADES IN TS\_24 (GOLD TREVIRA WAVE).

12 LIGHTS  
TYPE E14

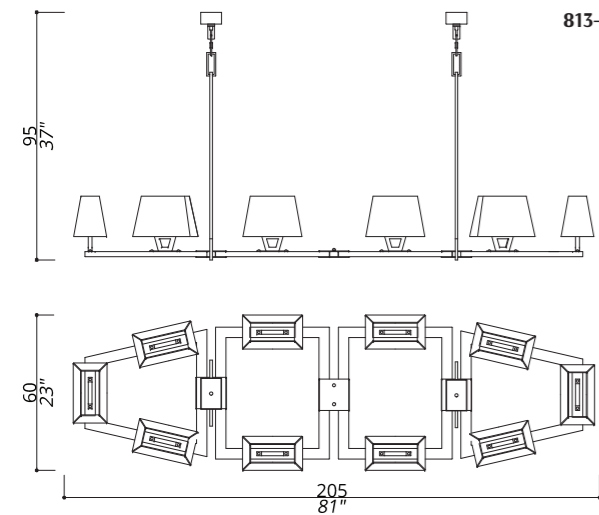


**812-BB-24**

CHANDELIER

STRUCTURE IN F\_13 (BURNISHED BRASS FINISH); CONNECTION BOX AND DETAILS IN F\_10 (NATURAL BRASS).  
SHADES IN TS\_24 (GOLD TREVIRA WAVE).

8 LIGHTS  
TYPE E14

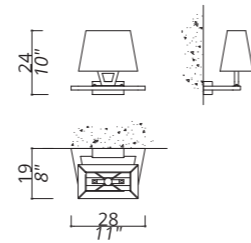


**813-BB-24**

CHANDELIER

STRUCTURE IN F\_13 (BURNISHED BRASS FINISH); CONNECTION BOX AND DETAILS IN F\_10 (NATURAL BRASS).  
SHADES IN TS\_24 (GOLD TREVIRA WAVE).

10 LIGHTS  
TYPE E14

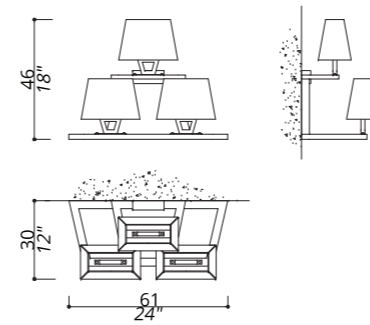


**821-BB-24**

WALL LAMP

STRUCTURE IN F\_13 (BURNISHED BRASS FINISH); WALL FIXTURE AND DETAILS IN F\_10 (NATURAL BRASS).  
SHADE IN TS\_24 (GOLD TREVIRA WAVE).

1 LIGHT  
TYPE E14

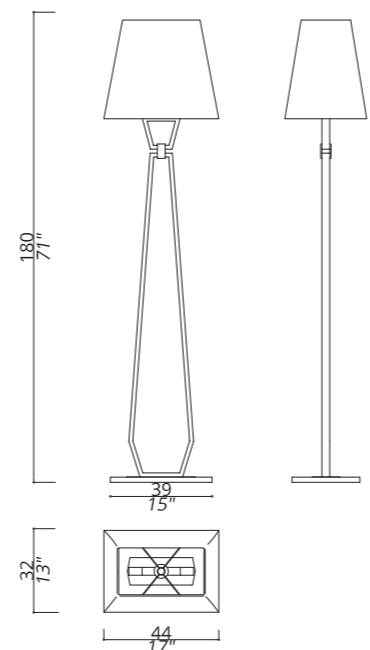


**823-BB-24**

WALL LAMP

STRUCTURE IN F\_13 (BURNISHED BRASS FINISH); WALL FIXTURE AND DETAILS IN F\_10 (NATURAL BRASS).  
SHADES IN TS\_24 (GOLD TREVIRA WAVE).

3 LIGHTS  
TYPE E14



**841-BB-27**

FLOOR LAMP

STRUCTURE IN F\_13 (BURNISHED BRASS FINISH); BASE AND DETAILS IN F\_10 (NATURAL BRASS). METAL BASE.  
SHADE IN TS\_27 (RAW LINEN).

1 LIGHT  
TYPE E27